

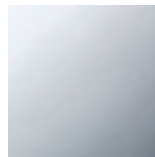
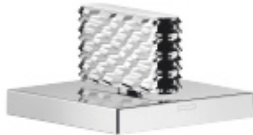


Bathtub - CL.1

Deck valve clockwise-closing cold - polished chrome

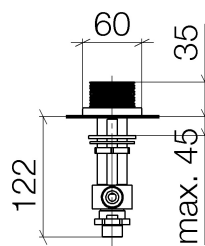
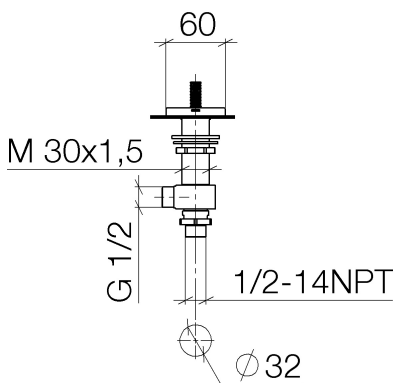
Article number: 20 002 705-00

- CASCADE structure
- 1-1/4" hole diameter
- Flange 2-3/8" x 2-3/8"
- Fittings group in compliance with DIN 4109: 1
- (ADA)



polished chrome

Dimensional drawing

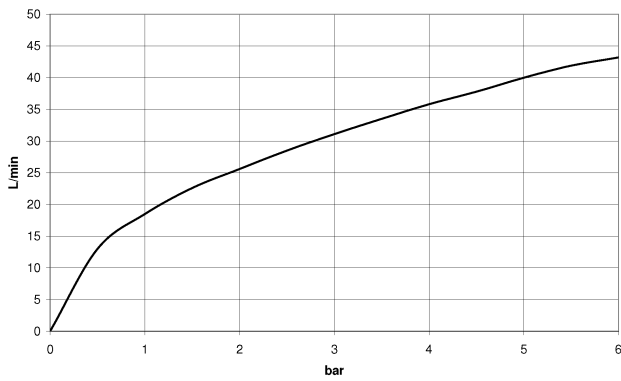


All dimensions in mm / inch = mm x 0,0394



Bathtub - CL.1
Deck valve clockwise-closing cold - polished chrome
Article number: 20 002 705-00

Flow rate chart





Bathtub - CL.1

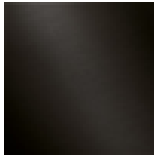
Deck valve clockwise-closing cold - polished chrome

Article number: 20 002 705-00

Other surface finishes



platinum matte
20 002 705-06



Dark Platinum matte
20 002 705-99

More custom finish options are available via special production (xTra Service). Please see our finish matrix for availability and pricing or contact a Dornbracht representative.

Spare parts list

Number	Item Number	Designation	Number of units
<hr/>			

